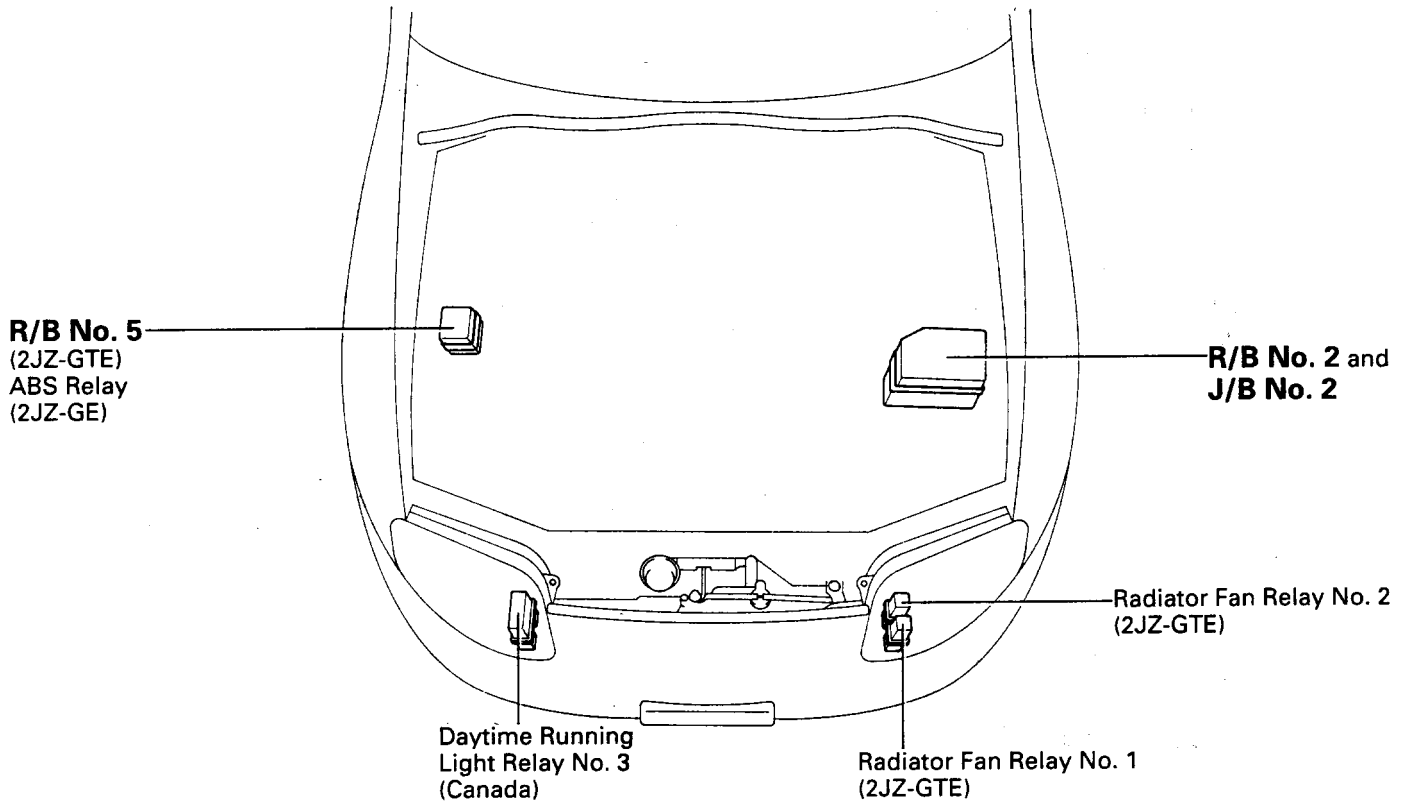
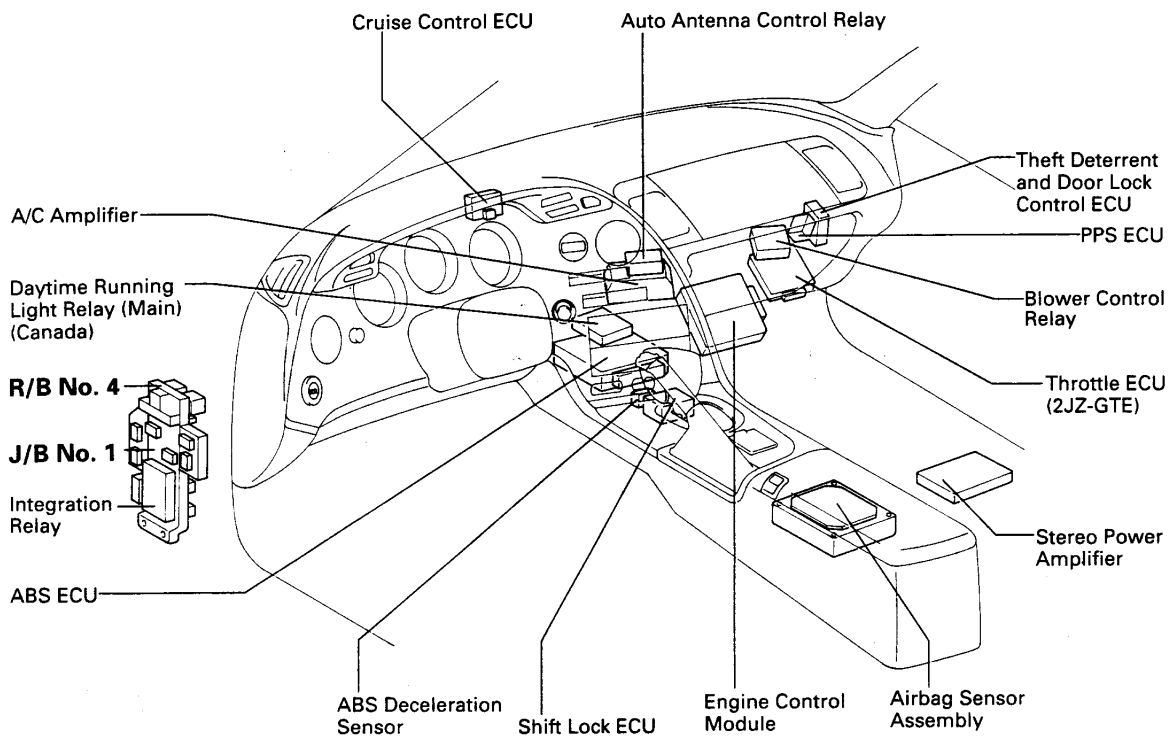


# F RELAY LOCATIONS

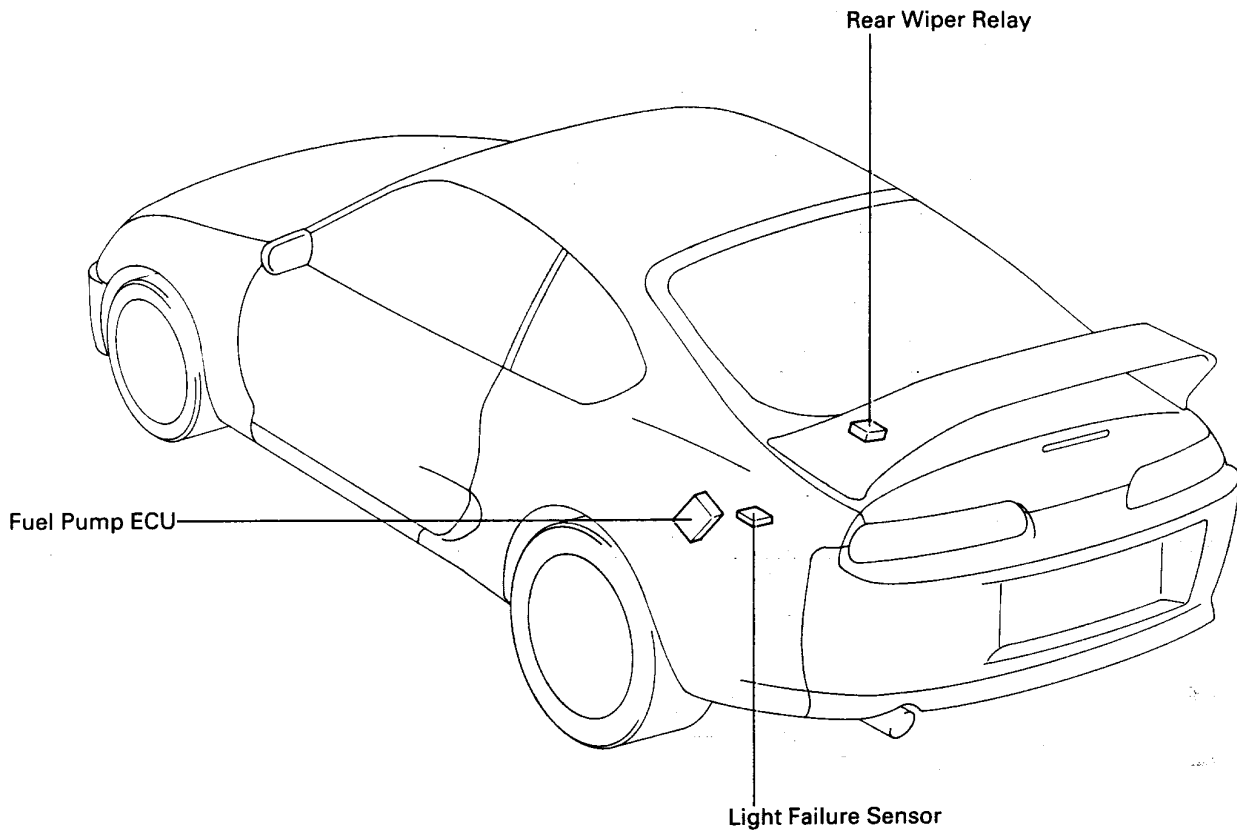
## [Engine Compartment]



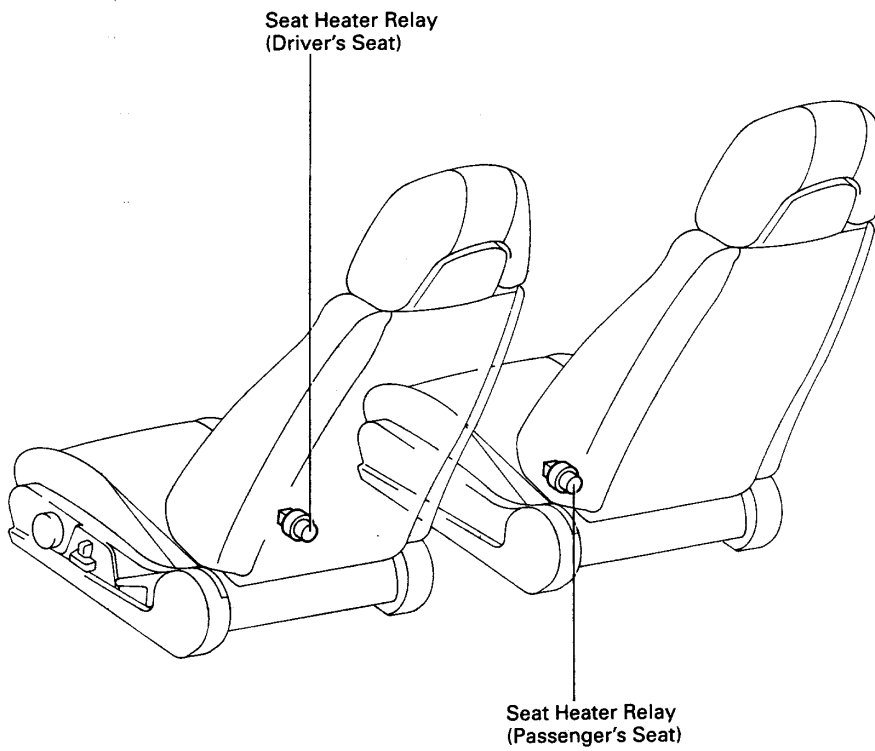
## [Instrument Panel]



[Body]



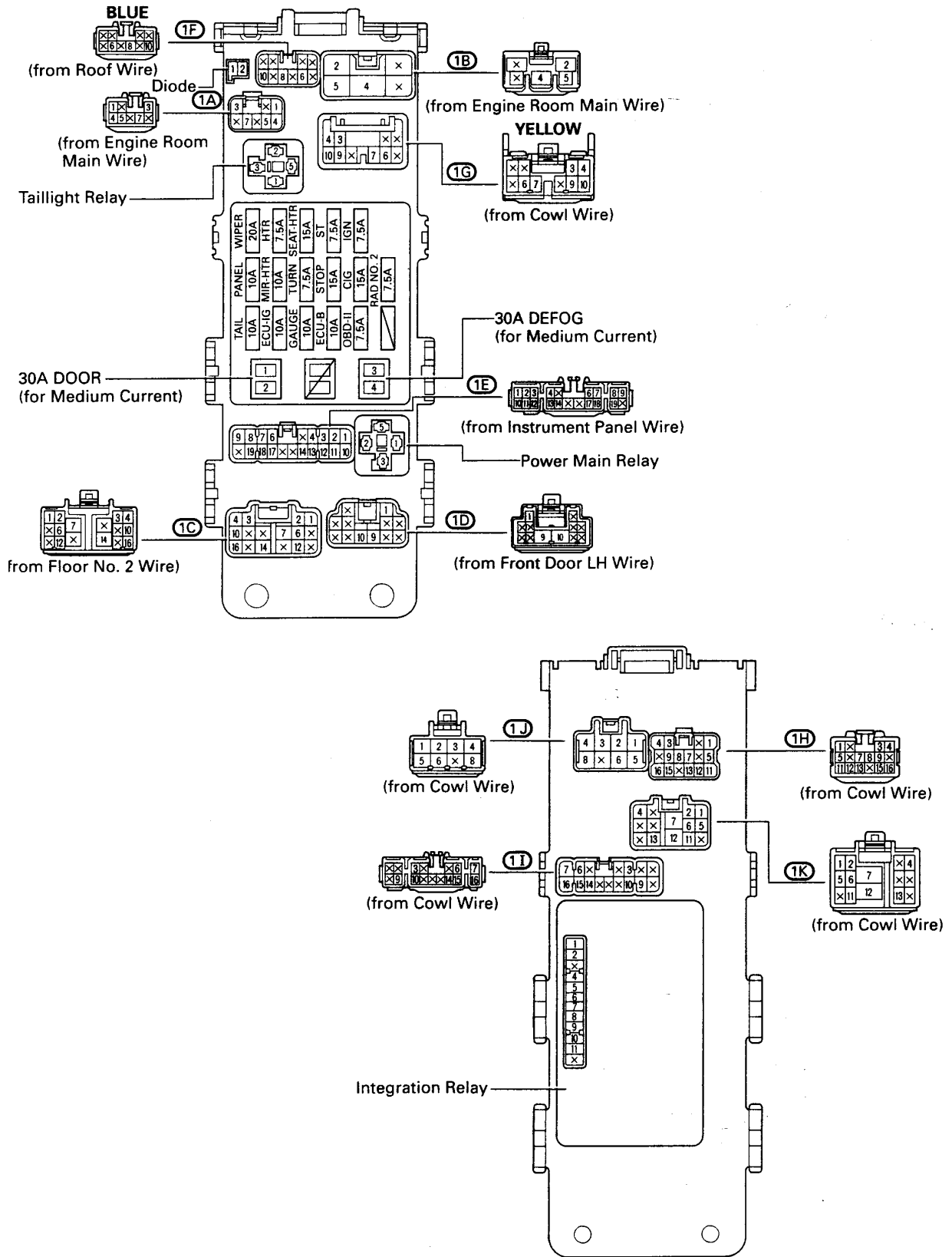
[Seat]



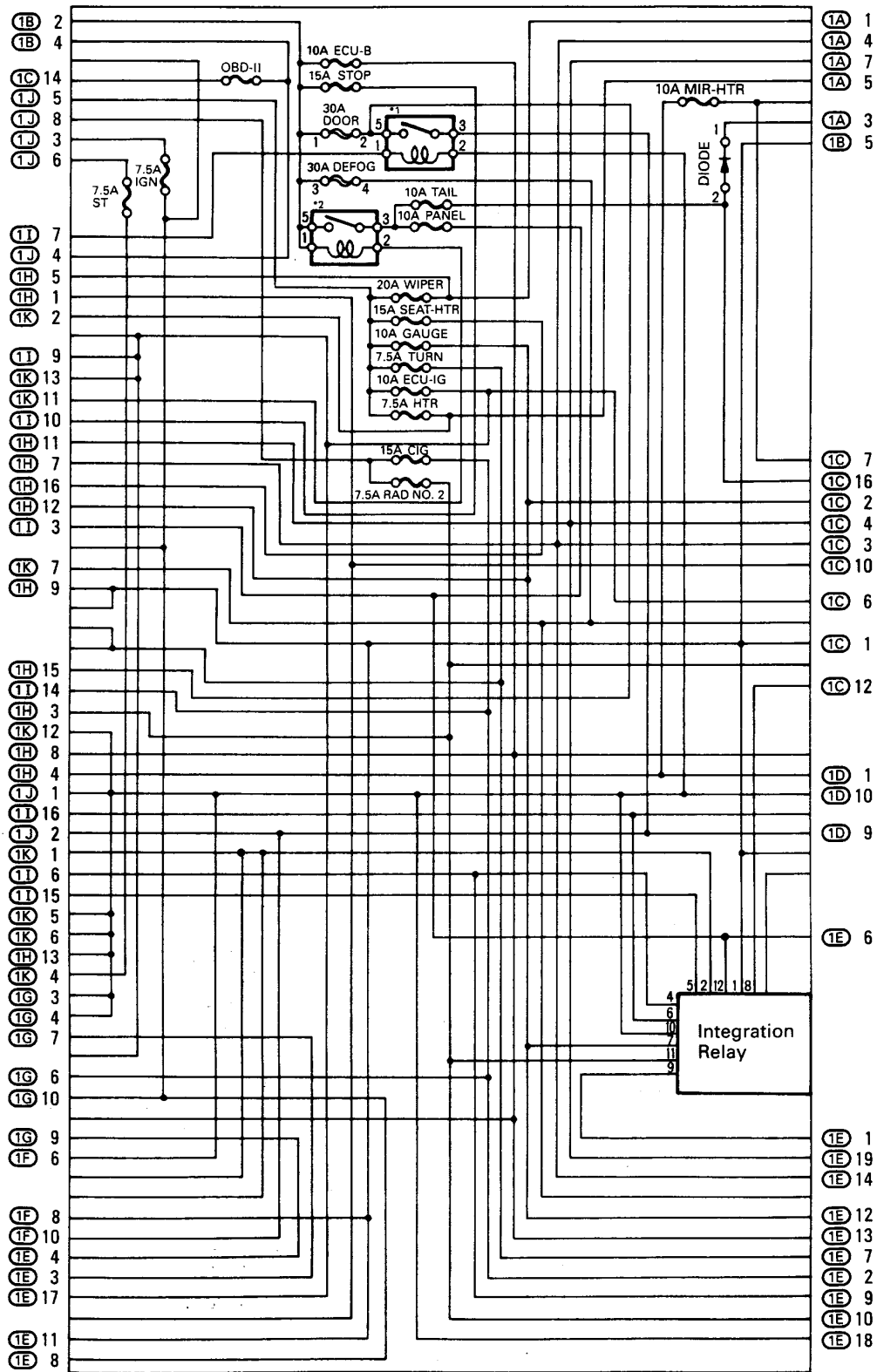
# F RELAY LOCATIONS

○ : J/B No. 1

Left Kick Panel (See Page 18)



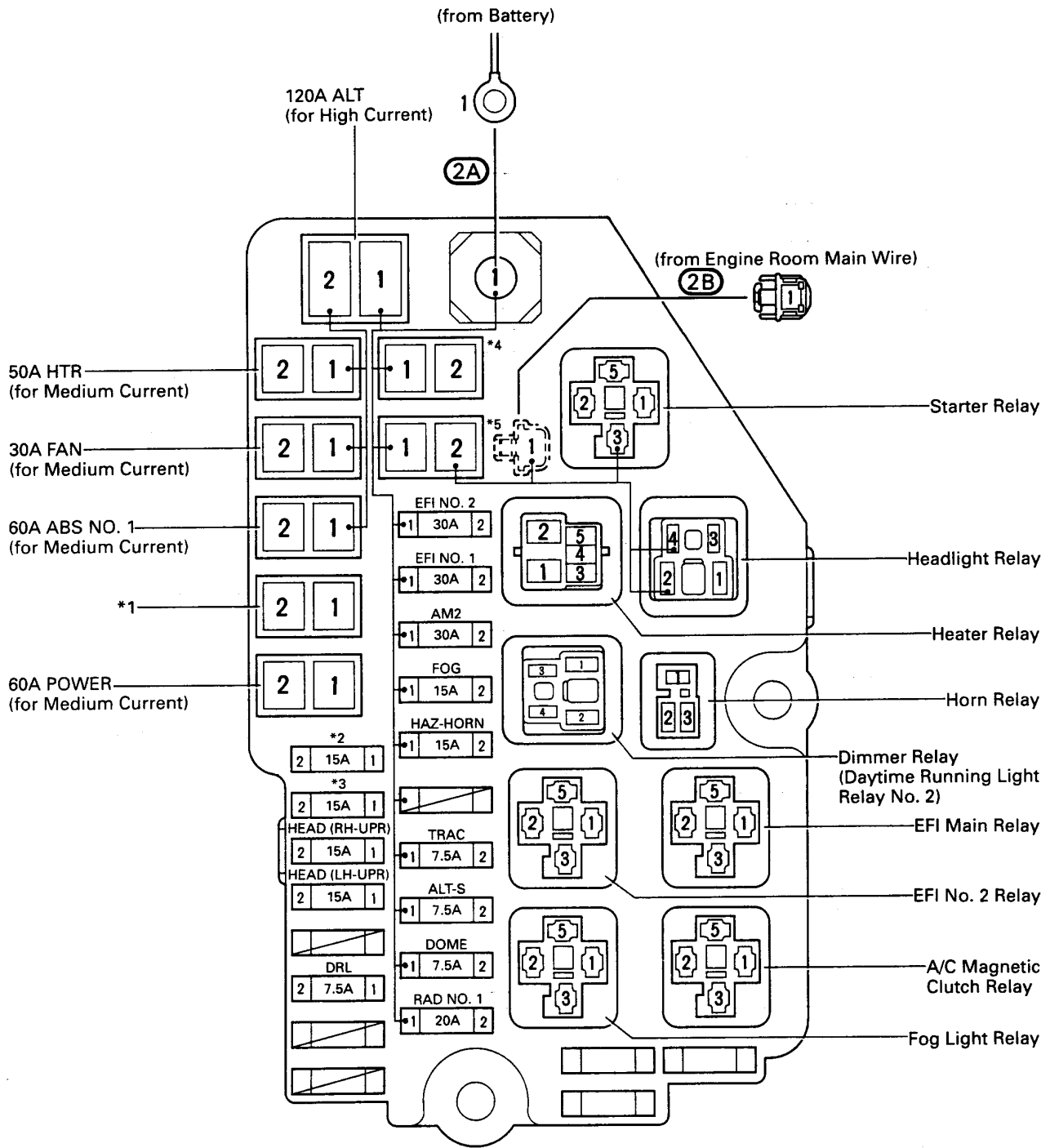
[J/B No. 1 Inner Circuit]



\*1: Power Main Relay  
\*2: Taillight Relay

# F RELAY LOCATIONS

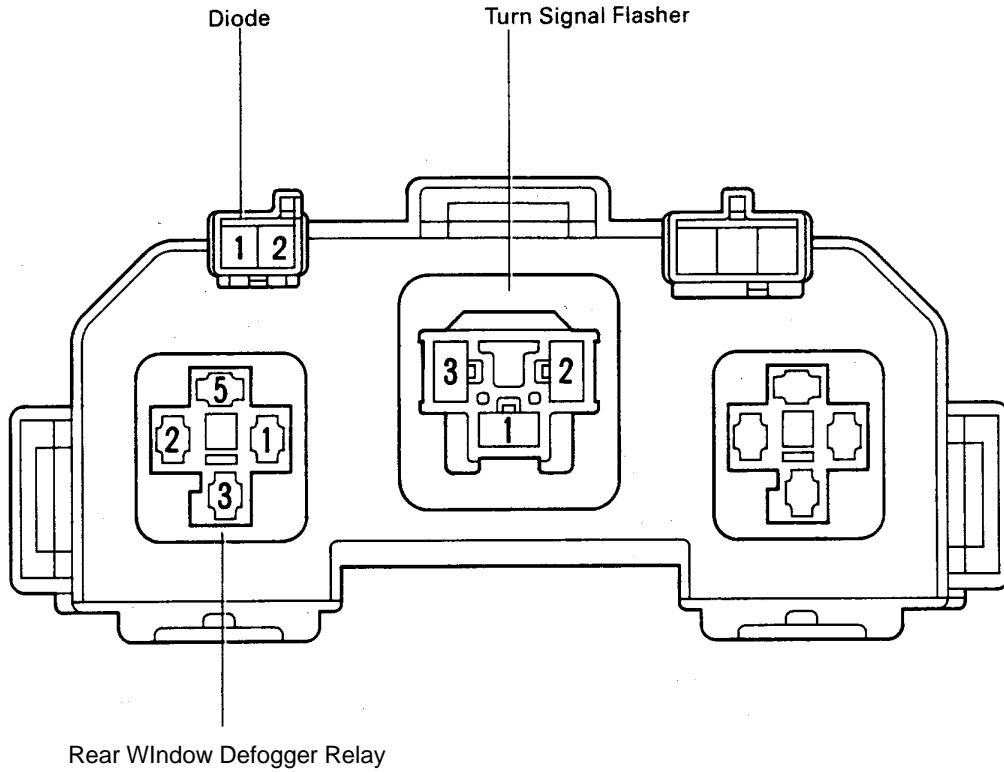
② : R/B No. 2	<b>Engine Compartment Left (See Page 18)</b>
○ : J/B No. 2	



- \*1: { 50A AM1 (for Medium Current) (USA)  
60A AM1 (for Medium Current) (CANADA)
- \*2: { HEAD (RH) (USA)  
HEAD (RH-LWR) (CANADA)
- \*3: { HEAD (LH) (USA)  
HEAD (LH-LWR) (CANADA)

- \*4: 30A ABS NO. 2  
(for Medium Current)
- \*5: 50A MAIN  
(for Medium Current)

④ : R/B No. 4      Left Kick Panel (See Page 18)



⑤ : R/B No. 5      Engine Compartment Right (See Page 18)

