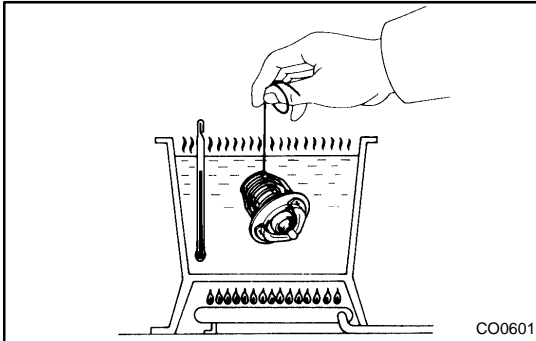


## INSPECTION

### INSPECT THERMOSTAT

#### HINT:

The thermostat is numbered with the valve opening temperature.



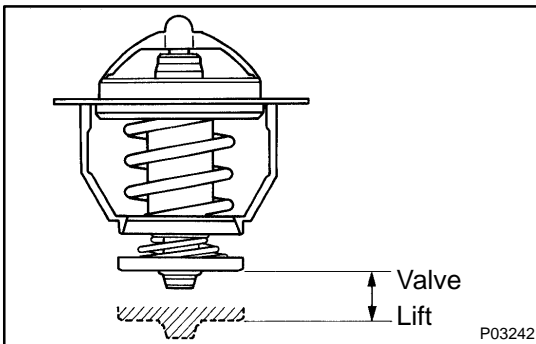
(a) Immerse the thermostat in water and gradually heat the water.

(b) Check the valve opening temperature.

#### **Valve opening temperature:**

**80 – 84 °C (176 – 183 °F)**

If the valve opening temperature is not as specified, replace the thermostat.



(c) Check the valve lift.

**Valve lift: 8.5 mm (0.335 in.) or more at 95 °C (203 °F)**

If the valve lift is not as specified, replace the thermostat.

(d) Check that the valve is closed when the thermostat is at low temperatures (below 40 °C (104 °F)).

If not closed, replace the thermostat.